

Pressure Gauge Valves

Model 910.11

Accessories, Mechanical

Service intended

Pressure gauge valves are intended to isolate the pressure gauge from the pressure medium or to throttle and to damp pressure pulses.

Design

- Plain valves per DIN 16 270 (with venting screw)
- Valves with test connection per DIN 16 271 (with venting screw)
- Valves with blocking test connection per DIN 16 272

Form A with LH/RH adjusting nut.
Form B with union nut and shaft to fit surface mounting bracket.

Valves with **test connection** enable simultaneous connection of a test gauge to check the pressure in the pipe.

The test connection closed by a sealing cap (DIN 16 271) or by an extra shut off device (DIN 16 272).

Standard features

Pressure connection

G ½ per EN 837-1 / 7.3, test connection M 20 x 1.5

Body

Brass: PN 250, temperature range -10 to +120 °C
Carbon steel: PN 400, temperature range -10 to +120 °C
Stainless steel: PN 400, temperature range -20 to +200 °C

Needle and seating

Corrosion and acid-resisting stainless steel

Gland packing

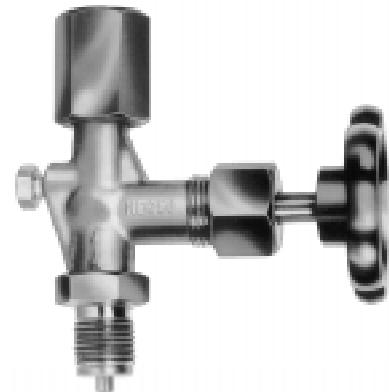
PTFE

Hand wheel

Heat resistant plastic

Nominal pressure

see table



Brass valve per DIN 16 270, LH/RH adjusting nut/Male G ½, PN 250



Steel valve with blocking test connection per DIN 16 272, LH/RH adjusting nut/Male G ½, with test connection M 20 x 1.5, PN 400

Design	Entry	PN [bar]	Material	Product no.	
				Form A	Form B
per DIN 16 270 	G ½	250	brass	9090169	9095098
	G ½	400	steel	9090177	9095101
	G ½	400	1.4571	9090967	9095110
per DIN 16 271 test connect. M 20 x 1.5	G ½	250	brass	9090975	9095128
	G ½	400	steel	9090983	9095136
	G ½	400	1.4571	9091157	9095144
per DIN 16 272 test connect. M 20 x 1.5	G ½	250	brass	9090991	9095152
	G ½	400	steel	9091009	9095160
	G ½	400	1.4571	9091017	9095179

Gauge adaptor to fit test connection

This adaptor union is intended to connect a test gauge with standard G ½ B (male) pressure entry to the connection M 20 x 1.5

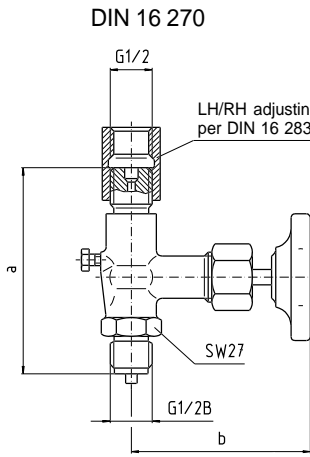
Design	Material	Product no.
female G ½ / female M 20 x 1,5 for connecting test gauges 	brass	9091700
	steel	9091718
	1.4571	9091726

Optional extras

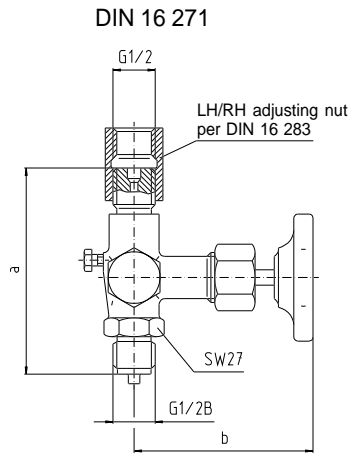
- Degreased for oxygen use
- Inspection certificate 3.1 B according to DIN 50 049 / EN 10 204
- DVGW-Approval (only valves per DIN 16 270, P_{max} = 100 bar)
- Pressure connection M 20 x 1.5 or ½ NPT
- Various packings for extended pressure ranges and temperature ranges

Dimensions

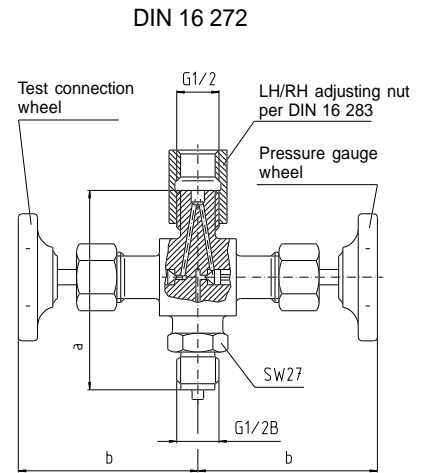
Form A, LH/RH adjusting nut/Male



1035 304.01

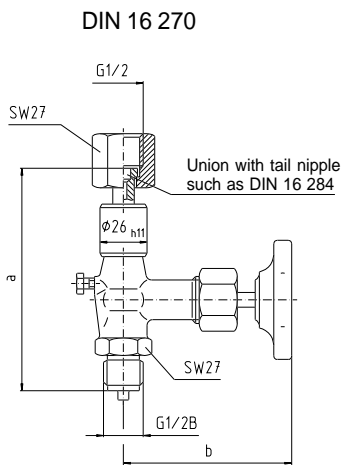


1035 290.01

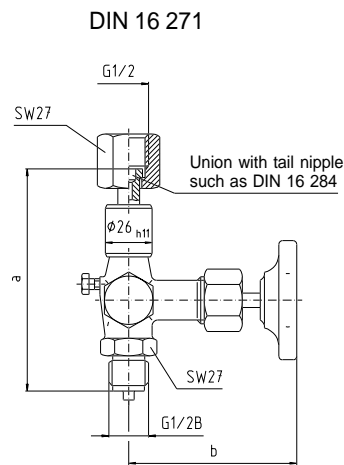


1035 282.01

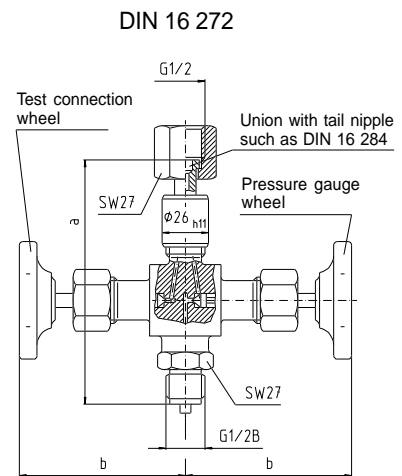
Form B, Union nut and shaft to fit surface mounting bracket/Male



1035 312.01



1035 320.01



1035 274.01

Design	Dimensions [mm]		Weight [kg]		
	a	b ± 5	brass	steel	1.4571
DIN 16 270					
Form A	100 ± 1	85	0.54	0.52	0.52
Form B	120 ± 5	85	0.61	0.56	0.56
DIN 16 271					
Form A	100 ± 1	85	0.67	0.65	0.65
Form B	120 ± 5	85	0.79	0.74	0.74
DIN 16 272					
Form A	100 ± 1	85	0.95	0.95	0.95
Form B	120 ± 5	85	1.00	1.00	1.00

Ordering information

To order the described products the 7-digit product number is sufficient / Optional extras required



INGENIEROS ASOCIADOS DE CONTROL S.L.
Telf.: 913831390
comercial@iac-st.es